



● YOUR  
● SMART  
● ENERGY

# STORION-G2-H50

COMMERCIAL &  
INDUSTRIAL SERIES

## POWER

50 kW Hybrid Inverter

## CAPACITY

- 6.9 kWh Battery Module  
Expandable from 55.29 to 110.59 kWh
- 8.0 kWh Battery Module  
Expandable from 104.83 to 209.66 kWh



## KEY FEATURES

- **All in One Design**  
The cabinet contains batteries, PCS, DC/DC, STS and EMS, but only occupies a small area.
- **Support Multi-Direction Roof**  
PV Input: 4\*MPPT with 200V ~ 850V MPPT Voltage
- **Multiple System Operation Monitoring**  
Local SCADA Monitoring & Remote Commercial and Industrial Cloud
- **Max 3 Systems in Parallel**  
Max power 150 kW by parallel operation

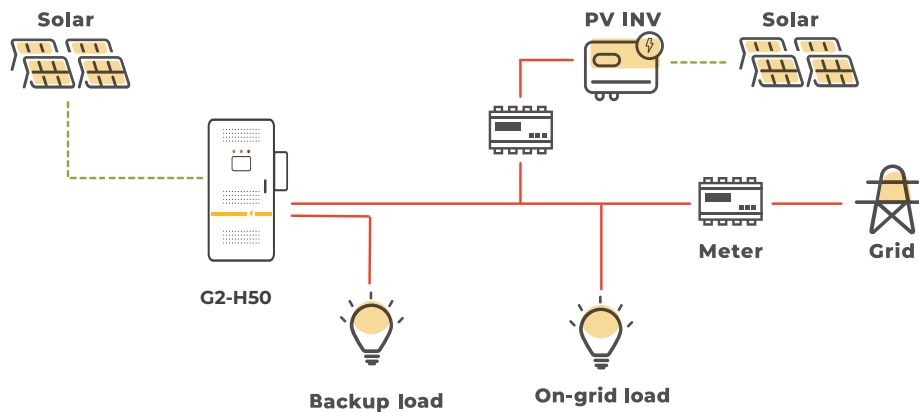
# STORION-G2-H50



## System Functions

- Backup
- Max 3 Systems in Parallel
- Peak Shaving and Load Shifting
- Timed Charge and Discharge

## System Diagram



Model	STORION-G2-H50 / STORION-G2-H50-O
<b>System Technical Specifications</b>	
Battery Chemistry	LiFePO4
Battery Energy Range	55.29 kWh~209.66kWh
Depth of Discharge (DoD)	90% (On-Grid), 85% (Off-Grid)
IP Protection	IP20 / IP55
Standard Battery Cluster	1*
Warranty	5 Years Product Warranty, 10 Years Battery Performance Warranty
<b>PV Side</b>	
Max. input power	75 kW
Start-up voltage	135 V
MPPT Voltage Range	200 ~ 850 V
Number of MPPT	4
Number of Strings for Each MPPT	2
Max. Input Current	30 A / 30 A / 30 A / 30 A
Max. Short-circuit Current	40 A / 40 A / 40A / 40 A
<b>AC Data (Grid)</b>	
Rated Output Power	50 kW
Max. Input Power	60 kW
Rated Grid Voltage	3L / N / PE 220 V / 380 V; 230 V / 400 V
Grid Frequency	50 / 60 Hz
Rated Current	83 A
Output THDi	<3%
AC PF	0.8 leading ... 0.8 lagging
<b>AC Data (Backup)</b>	
Rated Output Power	50 kW
Max Output Apparent Power	55 kVA
Rated Grid Voltage	3L / N / PE 220 V / 380 V; 230 V / 400 V
Grid Frequency	50 / 60 Hz
Max Current	83 A
<b>General Data</b>	
Dimensions (W x D x H)	STORION-H50: 900 x 850 x 2160 mm STORION-H50-O: 1050 x 1200 x 2160 mm
Weight	STORION-H50: 850 kg (with M7790-S) / 1170 kg (with M38210-SC) STORION-H50-O: 950 kg (with M7790-S) / 1270 kg (with M38210-SC)
Operating Temperature Range	STORION-H50: -10°C ~ 50°C / STORION-H50-O: -20 °C ~ 50 °C(PCS > 45°C derating)
Relative Humidity	0~95% (No Condensation)
Max. Working Altitude	3000 m / 9842 ft (>3000 m derating)
Cooling Method	Forced Air-Cooling
Communication Interfaces	RS485, CAN, Modbus TCP, Ethernet
Display	SCADA
Certifications	IEC 62477, IEC 61000, IEC 62109, EN 50549-1, VDE 4105, G99, G100, C10/C11**, TOR Erzeuger**, NC RFG, UNE 217001/2**

\* Max support 2 battery clusters, extra battery cabinet is needed.



\*\*The certification process is ongoing.

# STORION-G2-H50



## Model: STORION-G2-H50 / STORION-G2-H50-O

### Battery Cluster System

Item	Data		
Battery Module		M7790-S 1C	M38210-SC 0.5C
Battery Chemistry		LiFePO4	LiFePO4
Pack		3.2 V / 90 Ah@1P24S	3.2 V / 105 Ah@2P12S
Internal Resistance		≤10 mΩ	≤10 mΩ
Nominal Capacity		6.912 kWh	8.064 kWh
Rated Voltage		76.8 V	38.4 V
Operating Voltage		72 V ~ 84.48 V	36 V ~ 43.2 V
Max. Charging/Discharging Current		90 A	105 A
System Cycle Life		6000***	6000***
Operating Temperature Range		-10 °C ~ 50 °C****	-10 °C ~ 50 °C****
IP Protection		IP21	IP21
Communication		CAN	CAN
Dimensions (W x D x H)		326 x 654 x 250 mm	325 x 658 x 232 mm
String Pack QTY		8	13
Certifications	IEC 62619, IEC 62477, IEC 61000		

### Meter (Optional)



Model	DTSU666
Rated Voltage	230V AC / 400V AC
Accuracy Class	±1%
Communication	RS485, Modbus RTU
Dimensions (W×D×H)	72×80×101 mm
CT Model	AKH-0.66, K-30×20
CT Current Ratio	400 / 5 A
CT Perforation Size	32×22 mm

### Expansion Battery Cluster (Optional)



Model	ALPBC-105	
Battery	M7790-S	M38210-SC
Cluster Capacity	55.3 kWh	104.8 kWh
Max. Charging/Discharging Current	90 A	105 A
Battery Cluster Voltage Range	576 V ~ 675.8 V	468 V ~ 549.1 V
Battery Rack	2 x 7	
Fire-Fighting System	Smoke detect	
Dimensions (W×D×H)	700 x 850 x 2160 mm	
Weight	800 kg	1120 kg

\*\*\*Under specific test conditions.

\*\*\*\*Max. charge/discharge current derating may occur with changes in temperature and SoC.



# "BIGGER & STRONGER"

## Commercial & Industrial Solution Supports Your Business

---

AlphaESS is a world-leading energy storage solution and service provider covering the full power range.

 @AlphaEnergyStorageSystem  @AlphaESS  @alpha\_ess  @AlphaESS  www.alphaess.com

### Alpha ESS Co., Ltd.

Tel: +86 513 8060 6891  
Email: [info@alpha-ess.com](mailto:info@alpha-ess.com)  
Website: [www.alphaess.com](http://www.alphaess.com)  
Add: No. 1086 Bihua Road, Tongzhou District,  
Nantong City, Jiangsu Province, China

### Alpha ESS International Pte. Ltd.

Tel: +65 6513 1125 / +65 6513 1126  
Email: [Singapore@alpha-ess.com](mailto:Singapore@alpha-ess.com)  
Add: 2 Corporation Road #01-06A Corporation Place  
618494 Singapore

### Alpha ESS Australia Pty. Ltd.

Tel: +61 02 9000 7676  
Email: [techsupport@alphaess.au](mailto:techsupport@alphaess.au)  
Website: [www.alphaess.au](http://www.alphaess.au)  
Add: 8/15-21 Gibbes Street, Chatswood,  
NSW 2067 Australia

### Alpha ESS Europe GmbH

Tel: +49 6103 4591 601  
Email: [europe@alpha-ess.de](mailto:europe@alpha-ess.de)  
Website: [www.alpha-ess.de](http://www.alpha-ess.de)  
Add: Paul-Ehrlich-Straße 1a, Langen, Hessen D-63225  
Germany

### Alpha ESS UK Ltd.

Tel: +44 330 043 2610  
Email: [info@alpha-ess.com](mailto:info@alpha-ess.com)  
Add: Drake house, Long street, Dursley, gl11 4hh UK

### Alpha ESS Italy S.r.l.

Tel: +39 339 462 4288  
Email: [info@alpha-ess.it](mailto:info@alpha-ess.it)  
Add: Via Del Molinuzzo 83, 59100 Prato (PO), Italy

### Alpha ESS USA, Inc.

Tel: +1 408 368 7828  
Email: [inquiry@alphaess.us](mailto:inquiry@alphaess.us)  
Add: Unit 5 2180 S Ivanhoe St, Denver, CO 80222 USA

### Alpha ESS Korea Co., Ltd.

Email: [info@alpha-ess.com](mailto:info@alpha-ess.com)  
Add: 2F, 19-4, Nohyeong 11-gil, Jeju-si, Jeju-do,  
Republic of Korea